

Coolmay

Fiber to CAN/RS485/RS232 Module

CX-FIBER-A

CX-FIBER-B

User Manual

All right reserved by Shenzhen Coolmay Technology Co., Ltd

V8.101

www.coolmay.com

Contents

I Appearance	1
II Technical parameters and working environment	2
III Indicator and communication port description	3
IV Communication connection example.....	4

I Appearance

Front



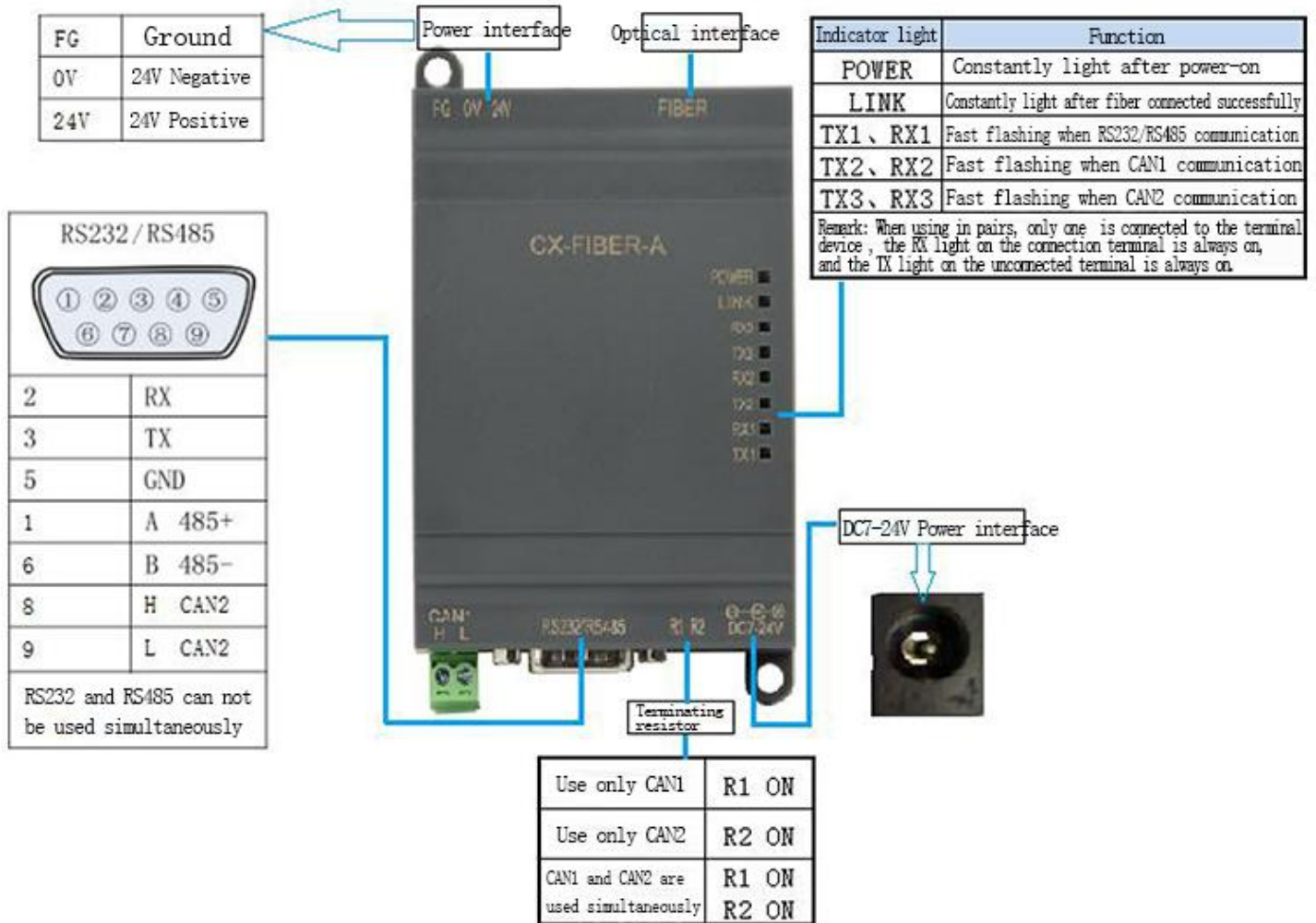
Rear



II Technical parameters and working environment

Item	Details
Maximum length of fiber	80 km
Baud rate	0~1Mbps
Optical port selection	Conventional single fiber SC interface
N.W	100g
Dimension	106mm(L)*65mm(W)*35mm(H)
Cutout size	98mm*57mm
Working temperature	-40°C~+85°C
Relative humidity	≤95%RH
Installation method	Guide rail, wall mount, plane fixed
Voltage	Optional DC7~24V or 24V
Way of use	Used in pairs

III Indicator and communication port description



Two power supply options are available:

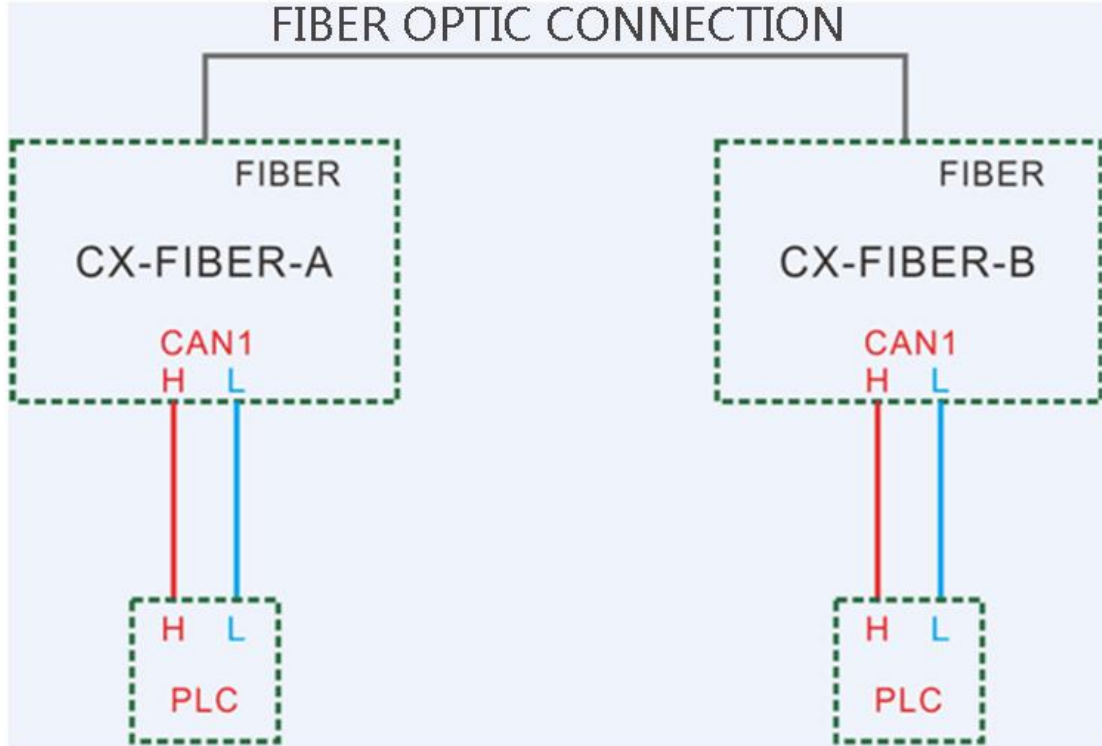
Power supply mode one: DC24V switching power supply: FG---ground 0V--- connect 24V negative 24V--- connect 24V positive;

Power supply mode two: DC7-24V power supply, it is recommended to use the power supply as shown below:



IV Communication connection example

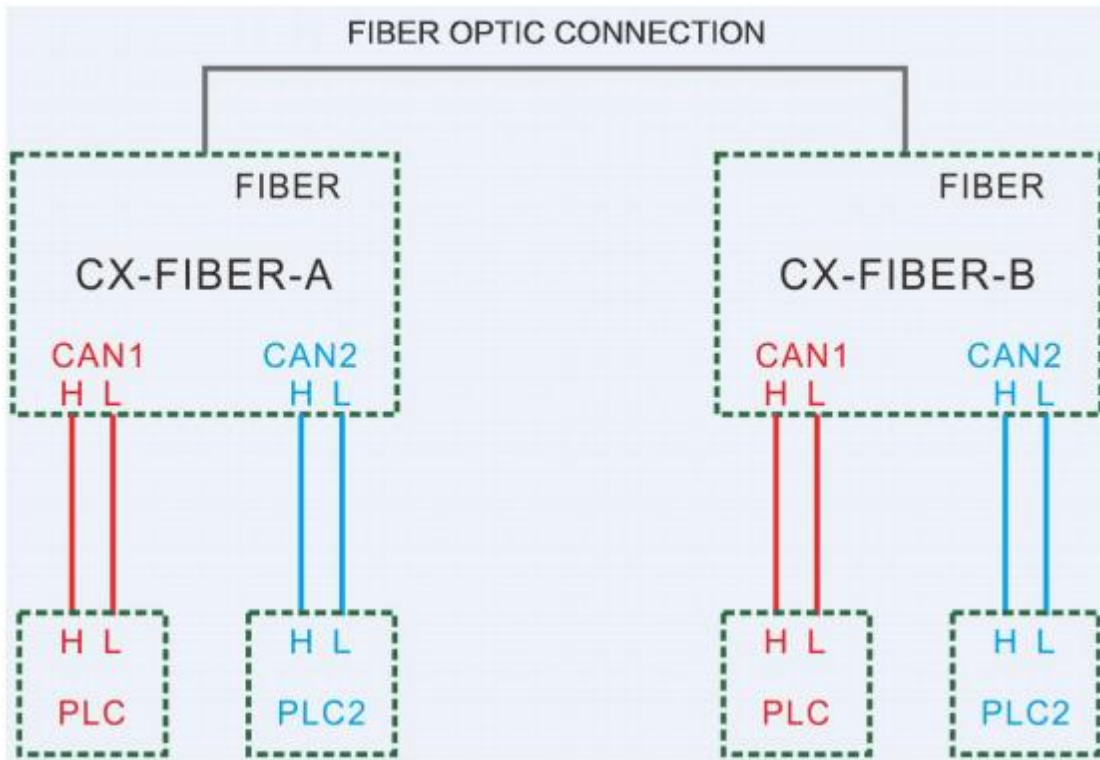
1. CAN communication between PLC and PLC



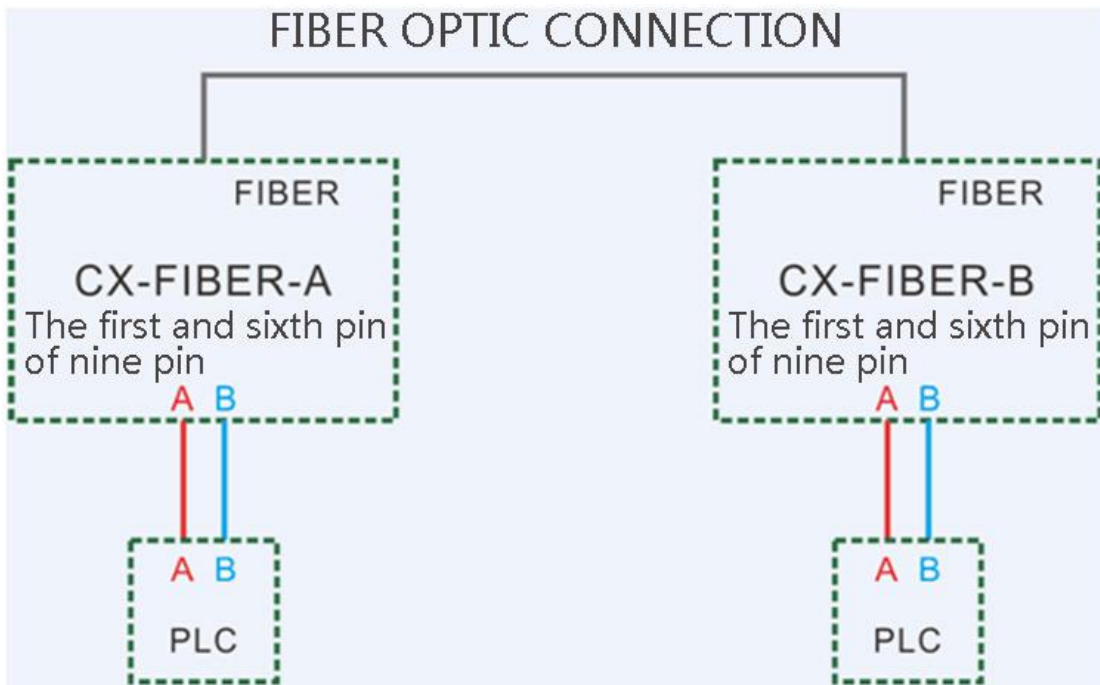
2. CAN communication between PLC and PLC - two CANs can be used simultaneously or independently

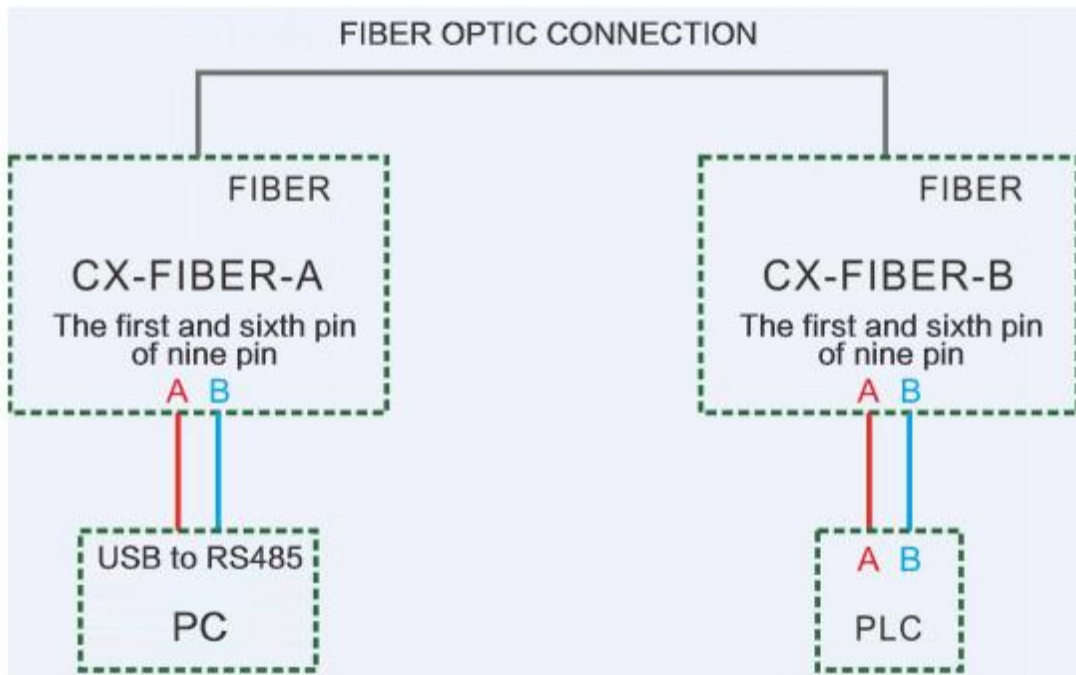
The relationship between the two CANs and the terminating resistor R1\R2 is shown in the following table.

Use only CAN1	R1 ON
Use only CAN2	R2 ON
CAN1 and CAN2 are used simultaneously	R1 ON R2 ON



3. Between PLC and PLC or between PLC and computer can also communicate via fiber to RS485. (MODBUS protocol and programming port protocol)





4. Between PLC and PLC or between PLC and computer can also communicate via fiber to RS232. (MODBUS protocol and programming port protocol)

