

## CM-MOS/SSR/REY User Manual

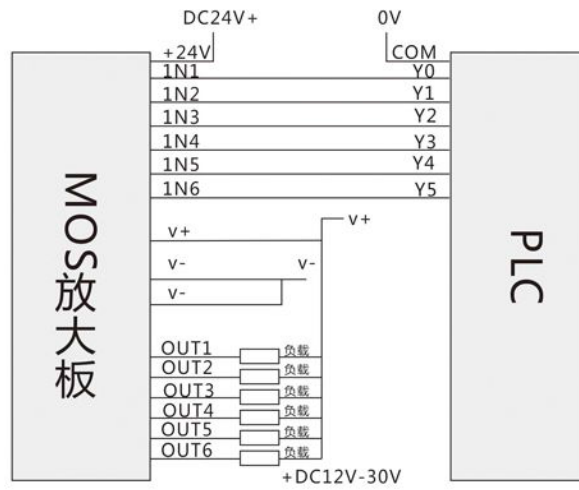
COOLMAY CM series amplifier module can transfer low power output signal of PLC to high power signal through the opto-isolator (CM-REY adopts relay to isolate) to drive control motor, solenoid and other high-power load, which can protect PLC.

### Features:

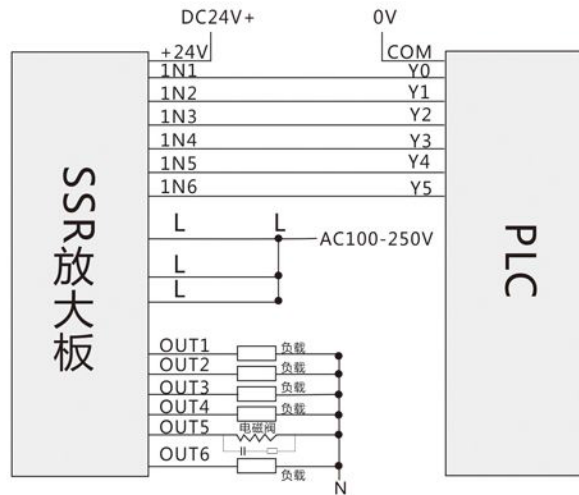
1. Optoelectronic isolator adopted to protect PLC output contacts  
(CM-REY adopts relay isolator)
2. Small size, compact structure, easy to install, reduce size of the control box and cut the cost
3. Input with an indicator light, convenient for debugging
4. DIN-rail installation, easy to install
5. Input and output side arrangement, with pluggable terminals for easy wiring and maintenance.
6. Stable performance, durable quality and strong anti-interference.

Parameters			
Product	Transistor amplifier module	Solid state relay amplifier module	Intermediate relay amplifier module
Model	CM-MOS	CM-SSR	CM-REY
Output power	Max load current 10A	Max load current 10A	Max load current 10A
Working voltage	DC12-30V	AC100-250V	DC/AC0-250V
Constant output current	5A	5A	15A
Output mode	Large power MOS tube, NPN type	Zero-crossing trigger	Relay contact
Protect mode	Optical isolation, freewheeling diode protection	Optical isolation, RC absorption circuit	Relay isolation, 400V varistor
Input voltage	DC24V		
Input drive mode	NPN		
Wiring mode	5.08 Pluggable terminals		
installation	DIN-rail installation, can be installed in NS35/7.5 OR NS32 slot		
Dimension	With case, 89.5*79*32.5		

**CM-MOS wiring diagram:**



**CM-SSR wiring diagram:**



**CM-REY wiring diagram:**

